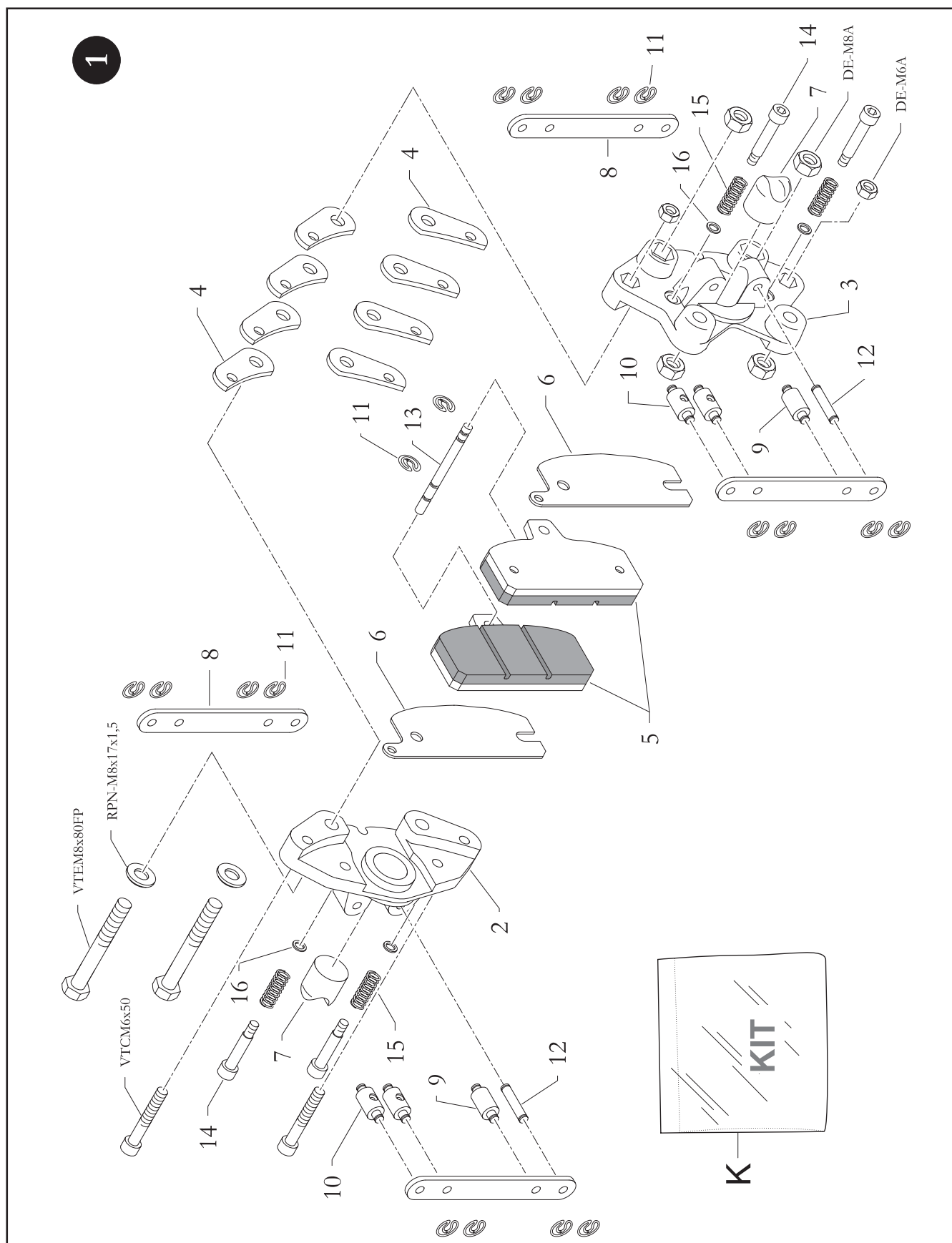


PINZE FRENO - BRAKE CALIPERS B-M 20x2

GR.M.03/081



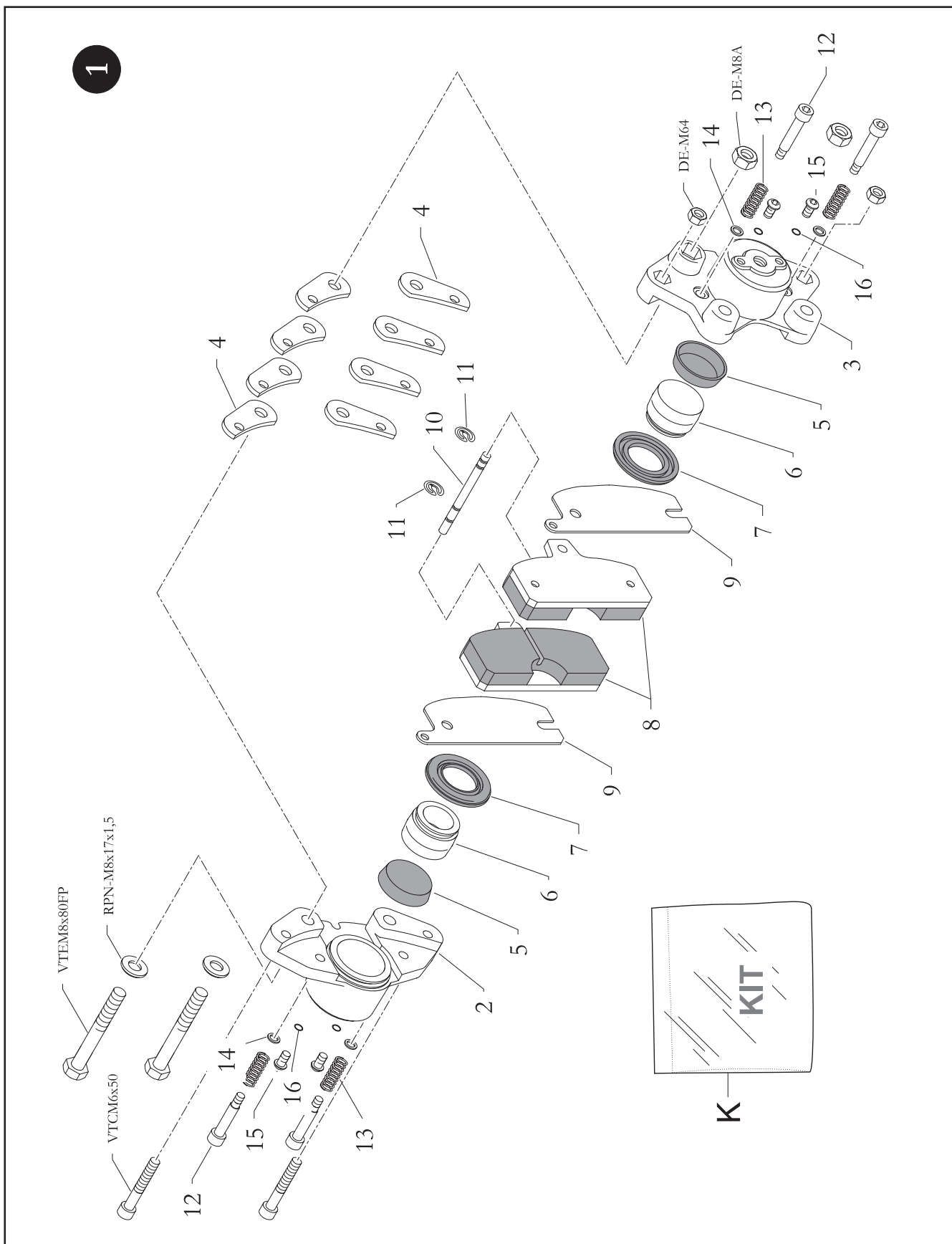
PINZE FRENO - BRAKE CALIPERS B-M 20x2

GR.M.03/081

Pos.	Cod. Articolo	Descrizione	Description
1	10.2687.00	ASSIEME PINZA B-M20x2H6	BRAKE CALIPER B-M20x2H6, ASSY.
1	10.1640.00	ASSIEME PINZA B-M20x2H10	BRAKE CALIPER B-M20x2H10, ASSY.
2	20.1476.10	SEMIPINZA A-M20x2	HALF CALIPER HOUSING A-M20x2
3	20.1596.10	SEMIPINZA B-M20x2	HALF CALIPER HOUSING B-M20x2
4	20.3599.10	DISTANZIALE PINZA FRENO mm.3	SPACER BRAKE CALIPER mm.3
5	10.1453.00	PASTIGLIA FRENO POST. 90x11,5	REAR BRAKE PAD 90x11,5
	2910.00.01	CONFEZIONE PASTIGLIE 90x11,5	REAR BRAKE PAD 90x11,5, BOX
5	10.0890.00	PASTIGLIA FRENO POST. 90x16	REAR BRAKE PAD 90x16
	2910.00.02	CONFEZIONE PASTIGLIE 90x16	REAR BRAKE PAD 90x16, BOX
6	20.2625.10	SPESSORE FRENO POST. mm.0,5	SPACER, REAR BRAKE mm.0,5
6	20.0871.10	SPESSORE FRENO POST. mm.1	SPACER, REAR BRAKE mm.1
7	20.1448.10	PISTONE M20	PISTON M20
8	20.1454.06	SEMILEVA PINZA MECCANICA	HALF LEVER MECHANICAL CALIPER
9	20.1450.06	GUIDA PISTONE M20x2	PISTON GUIDE M20x2
10	20.1451.06	GUIDA GUAINA M20x2	CABLE HOUSING GUIDE M20x2
11	40.0217.00	ANELLO D'ARRESTO 3,1x11x1	CIRCLIP 3,1x11x1
12	20.1447.06	PERNO 5x25	PIN 5x25
13	20.0900.06	PERNO 5x66	PIN 5x66
14	20.1406.06	VITE GUIDA PASTIGLIA FRENO	BRAKE PAD SCREW
15	20.0911.06	MOLLA RICHIAMO PASTIGLIA	SPRING, BRAKE PAD SCREW
16	20.0740.06	ROSETTA 7x10x0,5	WASHER 7x10x0,5
	10.1733.00	KIT REVISIONE M20x2	OVERHAUL KIT M20x2

PINZE FRENO - BRAKE CALIPERS B-I 32x2

GR.M.03/082



PINZE FRENO - BRAKE CALIPERS B-I 32x2

GR.M.03/082

Pos.	Cod. Articolo	Descrizione	Description
1	10.2688.00	ASSIEME PINZA B-I32x2H6	BRAKE CALIPER B-I32x2H6, ASSY.
1	10.1639.00	ASSIEME PINZA B-I32x2H10	BRAKE CALIPER B-I32x2H10, ASSY.
2	20.0858.10	SEMIPINZA A-I32x2	HALF CALIPER HOUSING, A-I32x2
3	20.1741.10	SEMIPINZA B-I32x2	HALF CALIPER HOUSING, B-I32x2
4	20.3599.10	DISTANZIALE PINZA FRENO mm.3	SPACER BRAKE CALIPER mm.3
4	20.3599.10-BL	DISTANZ. PINZA FRENO mm.3 MTS	SPACER BRAKE CALIPER mm.3 MTS
5	40.0985.00	GUARNIZIONE A TAZZA 32 EPDM	CUP SEAL 32 EPDM
6	20.0868.10	PISTONE I32	PISTON I32
7	20.0869.20	PARAPOLVERE 32	BOOT 32
8	10.1453.00	PASTIGLIA FRENO POST. 90x11,5	REAR BRAKE PAD 90x11,5
	2910.00.01	CONFEZIONE PASTIGLIE 90x11,5	REAR BRAKE PAD 90x11,5, BOX
8	10.0890.00	PASTIGLIA FRENO POST. 90x16	REAR BRAKE PAD 90x16
	2910.00.02	CONFEZIONE PASTIGLIE 90x16	REAR BRAKE PAD 90x16, BOX
9	20.2625.10	SPESSORE FRENO POST. mm.0,5	SPACER, REAR BRAKE mm.0,5
9	20.0871.10	SPESSORE FRENO POST. mm.1	SPACER, REAR BRAKE mm.1
10	20.0900.06	PERNO 5x66	PIN 5x66
11	40.0217.00	ANELLO D'ARRESTO 3,1x11x1	CIRCLIP 3,1x11x1
12	20.1406.06	VITE GUIDA PASTIGLIA FRENO	BRAKE PAD SCREW
13	20.0911.06	MOLLA RICHIAMO PASTIGLIA	SPRING, BRAKE PAD SCREW
14	20.0740.06	ROSETTA 7x10x0,5	WASHER 7x10x0,5
15	VTBM5X10	VITE TESTA BOMBATA	CONVEX SCREW
16	40.3483.00	GUARNIZIONE OR 5x1 EPDM	OR 5x1 EPDM
	10.1734.00	KIT REVISIONE I32x2	OVERHAUL KIT I32x2

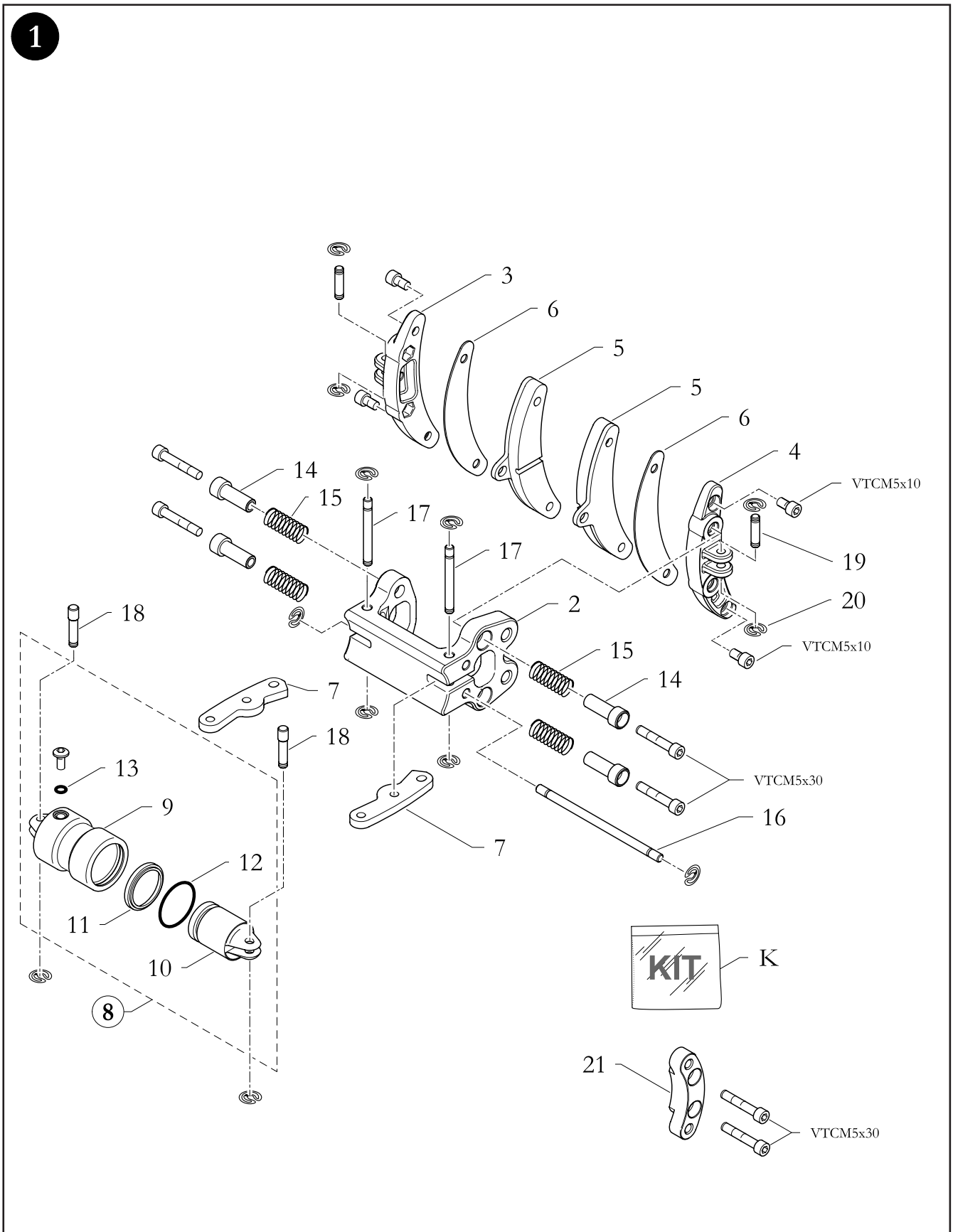
PINZE FRENO - BRAKE CALIPERS C-I 28-H15

GR.M.03/083

Pos.	Cod. Articolo	Descrizione	Description
1	10.7051.00	ASSIEME PINZA C-I28-H15/A HQ	BRAKE CALIPER C-I28-H15/A, ASSY. HQ
2	20.7090.10-BL	CORPO PINZA B-C H15/A HQ	BRAKE CALIPER HOUSING B-C H15/A HQ
3	20.7006.10-LU	SUPPORTO PASTIGLIA C POST. DX/A	REAR BRAKE PAD SUPPORT C, RIGHT/A
4	20.7007.10-LU	SUPPORTO PASTIGLIA C POST. SX/A	REAR BRAKE PAD SUPPORT C, LEFT/A
5	10.4434.00	PASTIGLIA FRENO POST. 135x15	REAR BRAKE PAD 135x15
	2910.00.04	CONFEZIONE PASTIGLIE 135x15	REAR BRAKE PAD 135x15, BOX
6	20.4608.10	SPESSORE FRENO POST. C mm 0,5	SPACER, REAR BRAKE CALIPER C mm 0,5
6	20.4609.10	SPESSORE FRENO POST. C mm 1	SPACER, REAR BRAKE CALIPER C mm 1
7	20.7018.06	LEVA PINZA FRENO POST. d.8 R=1:1,1	REAR LEVER BRAKE CALIPER d.8 R=1:1,1
8	10.6362.00	ASSIEME PISTONE 28-3°S.	PISTON 28-3°S, ASSY.
9	20.4871.10-OR	CORPO PISTONE 28-3°S.	PISTON HOUSING 28-3°S.
10	20.4870.10-DX	CORPO POMPANTE 28-3°S.	PUMPING HOUSING 28-3°S.
11	20.4686.20	PARAPOLVERE EPDM 28	BOOT EPDM 28
12	40.6352.00	GUARNIZIONE OR 20,22x3,53 EPDM	GROMMET OR 20,22x3,53 EPDM
13	40.3483.00	GUARNIZIONE OR 5x1 EPDM	OR 5x1 EPDM
14	20.4993.06	BOCCOLA GUIDA PASTIGLIA C POST. H40	PAD GUIDE BUSHING C. REAR H40
15	20.4237.06	MOLLA RITORNO PASTIGLIA C POST.	SPRING, REAR BRAKE PAD SCREW C
16	20.4946.06	PERNO 6x125	PIN 6x125
17	20.7017.06	PERNO 8x56	PIN 8x56
18	20.4511.06	PERNO 6x32	PIN 6x32
19	20.4597.06	PERNO 6x25	PIN 6x25
20	40.0217.00	ANELLO D'ARRESTO 3,1x11x1	CIRCLIP 3,1x11x1
21	40.7019.00	ANELLO D'ARRESTO 5,1x15x1,2	CIRCLIP 5.1x15x1,2
	10.6367.00	KIT REVISIONE C-I28-3°S	OVERHAUL KIT C-I28-3°S.

PINZE FRENO - BRAKE CALIPERS C-I 24-H12

GR.M.03/085



PINZE FRENO - BRAKE CALIPERS C-I 24-H12

GR.M.03/085

Pos.	Cod. Articolo	Descrizione	Description
1	10.6319.00-BL	ASSIEME PINZA C-I24-H12/D/A HQ	BRAKE CALIPER C-I24-H12/A, R. ASSY. HQ
1	10.6353.00-BL	ASSIEME PINZA C-I24-H12/S/A HQ	BRAKE CALIPER C-I24-H12/A, L. ASSY. HQ
2	20.7085.10-BL	CORPO PINZA B-C H12/A HQ	BRAKE CALIPER HOUSING B-C H12/A HQ
3	20.7087.10-LU	SUPPORTO PASTIGLIA C ANT. DX/A	FRONT BRAKE PAD SUPPORT C, RIGHT/A
4	20.7086.10-LU	SUPPORTO PASTIGLIA C ANT. SX/A	FRONT BRAKE PAD SUPPORT C, LEFT/A
5	10.4709.00	PASTIGLIA FRENO ANT. 100x11	FRONT BRAKE PAD 100x11
	2910.00.05	CONFEZIONE PASTIGLIE 100x11	FRONT BRAKE PAD 100x11, BOX
6	20.4711.10	SPESSORE FRENO ANT. C mm 0,5	SPACER, FRONT BRAKE CALIPER C mm 0,5
6	20.4712.10	SPESSORE FRENO ANT. C mm.1	SPACER, FRONT BRAKE CALIPER C mm 1
7	20.4465.06	LEVA PINZA FRENO ANT. R=1:1,3	FRONT LEVER BRAKE CALIPER R=1:1,3
8	10.6361.00	ASSIEME PISTONE 24-2°S	PISTON 24-2°S, ASSY.
9	20.4868.10-OR	CORPO PISTONE 24-2°S	PISTON HOUSING 24-2°S
10	20.4869.10-DX	CORPO POMPANTE 24-2°S	PUMPING HOUSING 24-2°S
11	20.4734.20	PARAPOLVERE EPDM 24	BOOT EPDM 24
12	40.6351.00	GUARNIZIONE OR 18,72x2,62 EPDM	GROMMET OR 18,72x2,62 EPDM
13	40.3483.00	GUARNIZIONE OR 5x1 EPDM	OR 5x1 EPDM
14	20.4721.06	BOCCOLA GUIDA PASTIGLIA C ANT.	BUSHING FOR FRONT BRAKE PAD C
15	20.4722.06	MOLLA RITORNO PASTIGLIA C ANT.	SPRING, FRONT BRAKE PAD SCREW C
16	20.4717.06	PERNO 5x100	PIN 5x100
17	20.4718.06	PERNO 5x 48	PIN 5x48
18	20.4719.06	PERNO 5x 27	PIN 5x27
19	20.4720.06	PERNO 5x 20	PIN 5x20
20	40.0217.00	ANELLO D'ARRESTO 3,1x11x1	CIRCLIP 3,1x11x1
	10.6370.00	KIT REVISIONE C-I24-2°S	OVERHAUL KIT C-I24-2°S
21	20.7289.10-BL	ADATTATORE FISSAGGIO PINZA C - CADET	ADAPTOR TO FIX THE BRAKE C - CADET